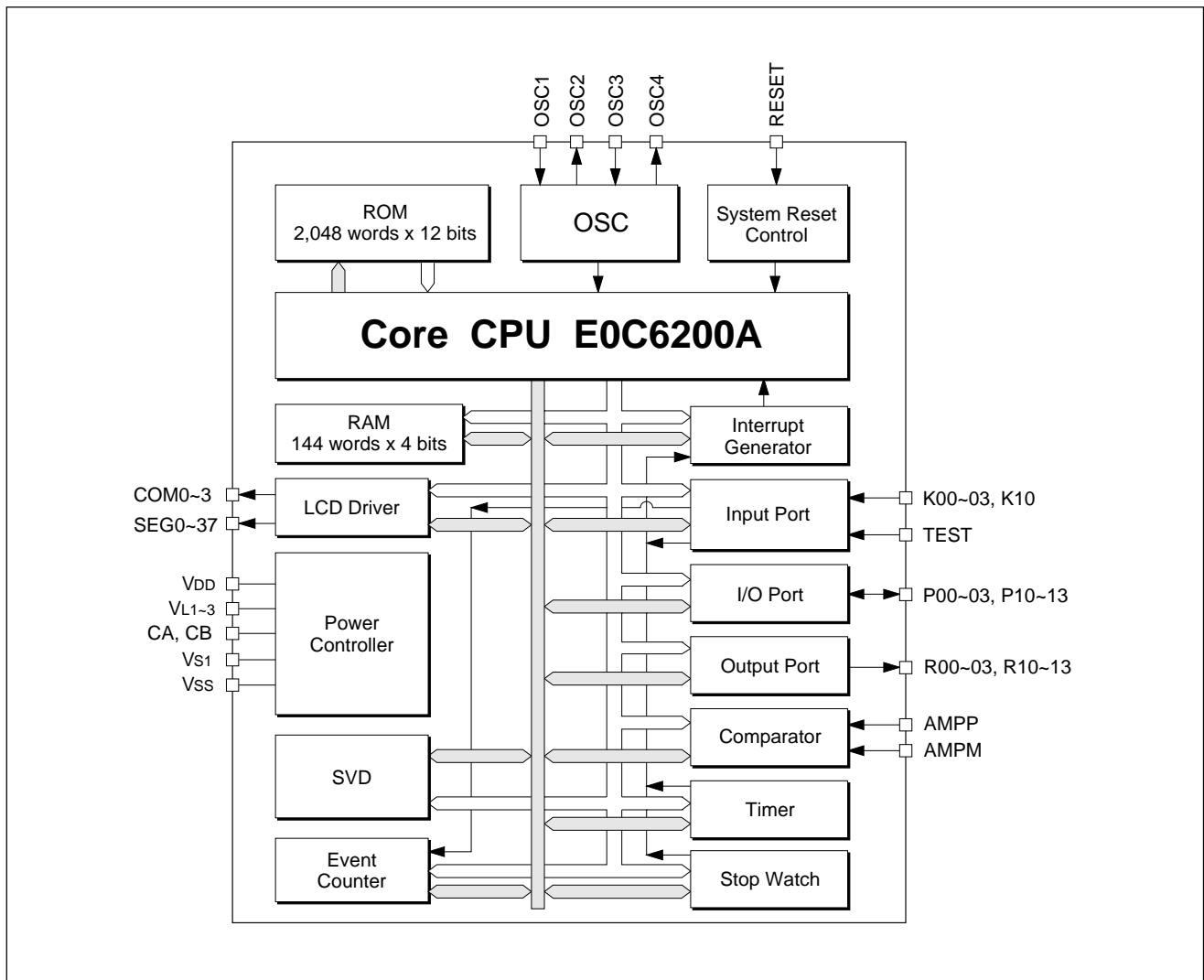


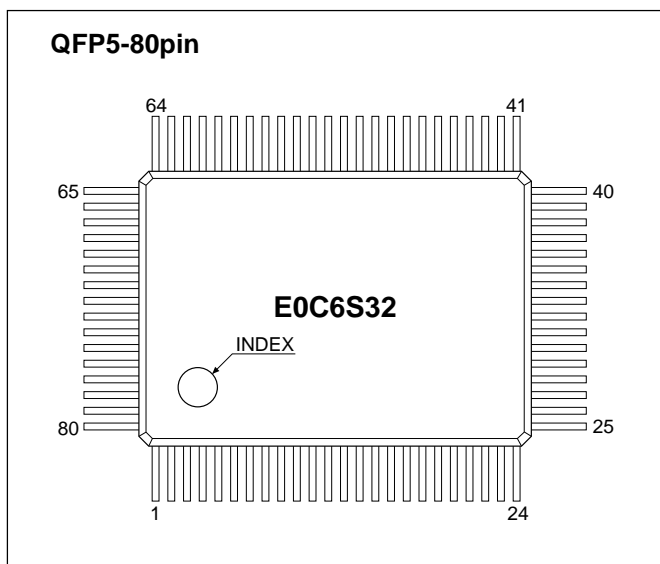


# E0C6S32

## ■ BLOCK DIAGRAM

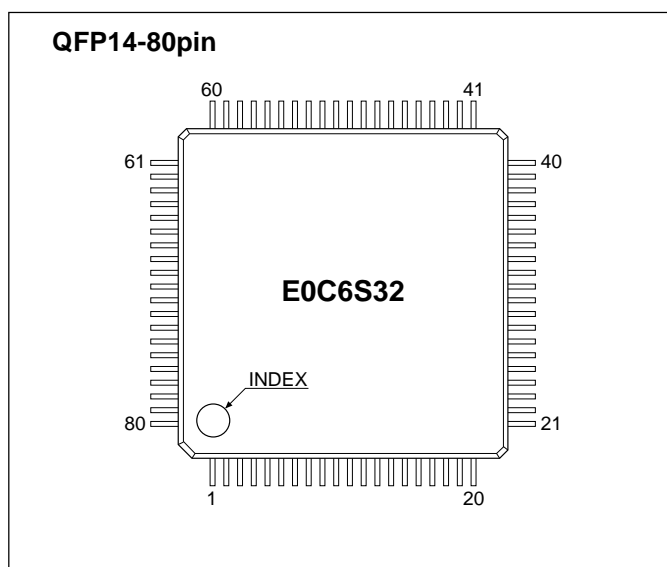


## ■ PIN CONFIGURATION



No.	Pin name	No.	Pin name	No.	Pin name	No.	Pin name
1	SEG17	21	SEG36	41	R00	61	COM2
2	TEST	22	SEG37	42	R12	62	COM1
3	SEG18	23	AMPP	43	R11	63	COM0
4	SEG19	24	AMPM	44	R10	64	SEG0
5	SEG20	25	K10	45	R13	65	SEG1
6	SEG21	26	K03	46	Vss	66	SEG2
7	SEG22	27	K02	47	RESET	67	SEG3
8	SEG23	28	K01	48	OSC4	68	SEG4
9	SEG24	29	K00	49	OSC3	69	SEG5
10	SEG25	30	P03	50	Vs1	70	SEG6
11	SEG26	31	P02	51	OSC2	71	SEG7
12	SEG27	32	P01	52	OSC1	72	SEG8
13	SEG28	33	P00	53	VDD	73	SEG9
14	SEG29	34	P13	54	VL3	74	SEG10
15	SEG30	35	P12	55	VL2	75	SEG11
16	SEG31	36	P11	56	VL1	76	SEG12
17	SEG32	37	P10	57	N.C.	77	SEG13
18	SEG33	38	R03	58	CB	78	SEG14
19	SEG34	39	R02	59	CA	79	SEG15
20	SEG35	40	R01	60	COM3	80	SEG16

N.C. = No Connection



No.	Pin name	No.	Pin name	No.	Pin name	No.	Pin name
1	AMPP	21	R11	41	COM0	61	SEG18
2	AMPM	22	R10	42	SEG0	62	SEG19
3	K10	23	R13	43	SEG1	63	SEG20
4	K03	24	Vss	44	SEG2	64	SEG21
5	K02	25	RESET	45	SEG3	65	SEG22
6	K01	26	OSC4	46	SEG4	66	SEG23
7	K00	27	OSC3	47	SEG5	67	SEG24
8	P03	28	Vs1	48	SEG6	68	SEG25
9	P02	29	OSC2	49	SEG7	69	SEG26
10	P01	30	OSC1	50	SEG8	70	SEG27
11	P00	31	VDD	51	SEG9	71	SEG28
12	P13	32	VL3	52	SEG10	72	SEG29
13	P12	33	VL2	53	SEG11	73	SEG30
14	P11	34	VL1	54	SEG12	74	SEG31
15	P10	35	N.C.	55	SEG13	75	SEG32
16	R03	36	CB	56	SEG14	76	SEG33
17	R02	37	CA	57	SEG15	77	SEG34
18	R01	38	COM3	58	SEG16	78	SEG35
19	R00	39	COM2	59	SEG17	79	SEG36
20	R12	40	COM1	60	TEST	80	SEG37

N.C. = No Connection

## PIN DESCRIPTION

Pin name	Pin No.		In/Out	Function
	QFP5-80pin	QFP14-80pin		
VDD	53	31	I	Power source (+) terminal
Vss	46	24	I	Power source (-) terminal
Vs1	50	28	O	Oscillation and internal logic system regulated voltage output terminal
VL1	56	34	O	LCD system regulated voltage output terminal (approx. -1.05 V)
VL2	55	33	O	LCD system booster output terminal (VL1 x 2)
VL3	54	32	O	LCD system booster output terminal (VL1 x 3)
CA, CB	57, 58	35, 36	-	Booster capacitor connecting terminal
OSC1	52	30	I	Crystal oscillation input terminal
OSC2	51	29	O	Crystal oscillation output terminal
OSC3	49	27	I	Ceramic or CR oscillation input terminal (Switchable by mask option, 6SA32 only)
OSC4	48	26	O	Ceramic or CR oscillation output terminal (Switchable by mask option, 6SA32 only)
K00-K03, K10	25-29	3-7	I	Input terminal
P00-P03, P10-P13	30-37	8-15	I/O	I/O terminal
R00-R03	38-41	16-19	O	Output terminal
R10	44	22	O	Output terminal (DC or BZ output may be selected by mask option)
R13	45	23	O	Output terminal (DC or BZ output may be selected by mask option)
R11	43	21	O	Output terminal
R12	42	20	O	Output terminal (DC or FOUT output may be selected by mask option)
AMPP	23	1	I	Analog comparator non-inverted input terminal
AMPM	24	2	I	Analog comparator inverted input terminal
SEG0-37	1, 3-22, 64-80	42-59, 61-80	O	LCD segment output terminal (Convertible to DC output by mask option)
COM0-3	60-63	38-41	O	LCD common output terminal
RESET	47	25	I	Initial reset input terminal
TEST	2	60	I	Test input terminal

# E0C6S32

## ■ ELECTRICAL CHARACTERISTICS

### ● Absolute Maximum Ratings

#### E0C6S32/6SA32/6SB32

(V<sub>DD</sub>=0V)

Rating	Symbol	Value	Unit
Supply voltage	V <sub>SS</sub>	-5.5 to 0.5	V
Input voltage (1)	V <sub>I</sub>	V <sub>SS</sub> - 0.3 to 0.5	V
Input voltage (2)	V <sub>I</sub> OSC	V <sub>S1</sub> - 0.3 to 0.5	V
Permissible total output current *1	ΣI <sub>VSS</sub>	10	mA
Operating temperature	T <sub>opr</sub>	-20 to 70	°C
Storage temperature	T <sub>stg</sub>	-65 to 150	°C
Soldering temperature / Time	T <sub>sol</sub>	260°C, 10sec (lead section)	—
Permissible dissipation *2	P <sub>D</sub>	250	mW

\*1: The permissible total output current is the sum total of the current (average current) that simultaneously flows from the output pins (or is draw in).

\*2: In case of plastic package (QFP5-80pin, QFP14-80pin).

#### E0C6SL32

(V<sub>DD</sub>=0V)

Rating	Symbol	Value	Unit
Supply voltage	V <sub>SS</sub>	-2.0 to 0.5	V
Input voltage (1)	V <sub>I</sub>	V <sub>SS</sub> - 0.3 to 0.5	V
Input voltage (2)	V <sub>I</sub> OSC	V <sub>S1</sub> - 0.3 to 0.5	V
Permissible total output current *1	ΣI <sub>VSS</sub>	10	mA
Operating temperature	T <sub>opr</sub>	-20 to 70	°C
Storage temperature	T <sub>stg</sub>	-65 to 150	°C
Soldering temperature / Time	T <sub>sol</sub>	260°C, 10sec (lead section)	—
Permissible dissipation *2	P <sub>D</sub>	250	mW

\*1: The permissible total output current is the sum total of the current (average current) that simultaneously flows from the output pins (or is draw in).

\*2: In case of plastic package (QFP5-80pin, QFP14-80pin).

### ● Recommended Operating Conditions

#### E0C6S32

(T<sub>a</sub>=-20 to 70°C)

Condition	Symbol	Remark	Min.	Typ.	Max.	Unit
Supply voltage	V <sub>SS</sub>	V <sub>DD</sub> =0V	-3.6	-3.0	-1.8	V
Oscillation frequency	f <sub>osc1</sub>		—	32.768	—	kHz

#### E0C6SL32

(T<sub>a</sub>=-20 to 70°C)

Condition	Symbol	Remark	Min.	Typ.	Max.	Unit
Supply voltage	V <sub>SS</sub>	V <sub>DD</sub> =0V	-1.8	-1.5	-1.1	V
		V <sub>DD</sub> =0V, With software control *1	-1.8	-1.5	-0.9 *2	V
		V <sub>DD</sub> =0V, When the analog comparator is used	-1.8	-1.5	-1.2	V
Oscillation frequency	f <sub>osc1</sub>		—	32.768	—	kHz

\*1: When switching to heavy load protection mode. Note, however, that the ON time for BLS in the heavy load protection must be limited to 10 msec per second of operation time.

\*2: The possibility of LCD panel display differs depending on the characteristics of the LCD panel.

#### E0C6SB32

(T<sub>a</sub>=-20 to 70°C)

Condition	Symbol	Remark	Min.	Typ.	Max.	Unit
Supply voltage	V <sub>SS</sub>	V <sub>DD</sub> =0V	-3.6	-1.5	-1.1	V
		V <sub>DD</sub> =0V, With software control *1	-3.6	-1.5	-0.9 *2	V
		V <sub>DD</sub> =0V, When the analog comparator is used	-3.6	-1.5	-1.2	V
Oscillation frequency	f <sub>osc1</sub>		—	32.768	—	kHz

\*1: When switching to heavy load protection mode. Note, however, that the ON time for BLS in the heavy load protection must be limited to 10 msec per second of operation time.

\*2: The possibility of LCD panel display differs depending on the characteristics of the LCD panel.

#### E0C6SA32

(T<sub>a</sub>=-20 to 70°C)

Condition	Symbol	Remark	Min.	Typ.	Max.	Unit
Supply voltage	V <sub>SS</sub>	V <sub>DD</sub> =0V	-3.6	-3.0	-1.8	V
Oscillation frequency (1)	f <sub>osc1</sub>		—	32.768	—	kHz
Oscillation frequency (2)	f <sub>osc3</sub>	duty 50±5%	300	1000	1300	kHz

## ● DC Characteristics

### E0C6S32/6SA32

(Unless otherwise specified: V<sub>DD</sub>=0V, V<sub>SS</sub>=-3.0V, f<sub>osc1</sub>=32.768kHz, T<sub>a</sub>=25°C, V<sub>S1</sub>/V<sub>L1</sub>-V<sub>L3</sub> are internal voltage, C<sub>1</sub>-C<sub>5</sub>=0.1μF)

Characteristic	Symbol	Condition	Min.	Typ.	Max.	Unit
High level input voltage (1)	V <sub>IH1</sub>	K00-K03, K10 P00-P03, P10-P13	0.2•V <sub>SS</sub>		0	V
High level input voltage (2)	V <sub>IH2</sub>	RESET, TEST	0.1•V <sub>SS</sub>		0	V
Low level input voltage (1)	V <sub>IL1</sub>	K00-K03, K10 P00-P03, P10-P13	V <sub>SS</sub>		0.8•V <sub>SS</sub>	V
Low level input voltage (2)	V <sub>IL2</sub>	RESET, TEST	V <sub>SS</sub>		0.9•V <sub>SS</sub>	V
High level input current (1)	I <sub>IH1</sub>	V <sub>IH1</sub> =0V, No pull down resistor K00-K03, K10 P00-P03, P10-P13 AMPP, AMPM	0		0.5	μA
High level input current (2)	I <sub>IH2</sub>	V <sub>IH2</sub> =0V, With pull down resistor K00-K03, K10	4		40	μA
High level input current (3)	I <sub>IH3</sub>	V <sub>IH3</sub> =0V, With pull down resistor P00-P03, P10-P13 RESET, TEST	25		150	μA
Low level input current	I <sub>IL</sub>	V <sub>IL</sub> =V <sub>SS</sub> K00-K03, K10 P00-P03, P10-P13 AMPP, AMPM RESET, TEST	-0.5		0	μA
High level output current (1)	I <sub>OH1</sub>	V <sub>OH1</sub> =0.1•V <sub>SS</sub> R10, R11, R13			-1.8	mA
High level output current (2)	I <sub>OH2</sub>	V <sub>OH2</sub> =0.1•V <sub>SS</sub> R00-R03, R12 P00-P03, P10-P13			-0.9	mA
Low level output current (1)	I <sub>OL1</sub>	V <sub>OL1</sub> =0.9•V <sub>SS</sub> R10, R11, R13	4.0			mA
Low level output current (2)	I <sub>OL2</sub>	V <sub>OL2</sub> =0.9•V <sub>SS</sub> R00-R03, R12 P00-P03, P10-P13	3.0			mA
Common output current	I <sub>OH3</sub>	V <sub>OH3</sub> =-0.05V COM0-COM3			-3	μA
	I <sub>OL3</sub>	V <sub>OL3</sub> =V <sub>L3</sub> +0.05V	3			μA
Segment output current (during LCD output)	I <sub>OH4</sub>	V <sub>OH4</sub> =-0.05V SEG0-SEG37			-3	μA
	I <sub>OL4</sub>	V <sub>OL4</sub> =V <sub>L3</sub> +0.05V	3			μA
Segment output current (during DC output)	I <sub>OH5</sub>	V <sub>OH5</sub> =0.1•V <sub>SS</sub> SEG0-SEG37			-200	μA
	I <sub>OL5</sub>	V <sub>OL5</sub> =0.9•V <sub>SS</sub>	200			μA

### E0C6SL32/6SB32

(Unless otherwise specified: V<sub>DD</sub>=0V, V<sub>SS</sub>=-1.5V, f<sub>osc1</sub>=32.768kHz, T<sub>a</sub>=25°C, V<sub>S1</sub>/V<sub>L1</sub>-V<sub>L3</sub> are internal voltage, C<sub>1</sub>-C<sub>5</sub>=0.1μF)

Characteristic	Symbol	Condition	Min.	Typ.	Max.	Unit
High level input voltage (1)	V <sub>IH1</sub>	K00-K03, K10 P00-P03, P10-P13	0.2•V <sub>SS</sub>		0	V
High level input voltage (2)	V <sub>IH2</sub>	RESET, TEST	0.1•V <sub>SS</sub>		0	V
Low level input voltage (1)	V <sub>IL1</sub>	K00-K03, K10 P00-P03, P10-P13	V <sub>SS</sub>		0.8•V <sub>SS</sub>	V
Low level input voltage (2)	V <sub>IL2</sub>	RESET, TEST	V <sub>SS</sub>		0.9•V <sub>SS</sub>	V
High level input current (1)	I <sub>IH1</sub>	V <sub>IH1</sub> =0V, No pull down resistor K00-K03, K10 P00-P03, P10-P13 AMPP, AMPM	0		0.5	μA
High level input current (2)	I <sub>IH2</sub>	V <sub>IH2</sub> =0V, With pull down resistor K00-K03, K10	2		16	μA
High level input current (3)	I <sub>IH3</sub>	V <sub>IH3</sub> =0V, With pull down resistor P00-P03, P10-P13 RESET, TEST	9		60	μA
Low level input current	I <sub>IL</sub>	V <sub>IL</sub> =V <sub>SS</sub> K00-K03, K10 P00-P03, P10-P13 AMPP, AMPM RESET, TEST	-0.5		0	μA
High level output current (1)	I <sub>OH1</sub>	V <sub>OH1</sub> =0.1•V <sub>SS</sub> R10, R11, R13			-300	μA
High level output current (2)	I <sub>OH2</sub>	V <sub>OH2</sub> =0.1•V <sub>SS</sub> R00-R03, R12 P00-P03, P10-P13			-150	μA
Low level output current (1)	I <sub>OL1</sub>	V <sub>OL1</sub> =0.9•V <sub>SS</sub> R10, R11, R13	1,400			μA
Low level output current (2)	I <sub>OL2</sub>	V <sub>OL2</sub> =0.9•V <sub>SS</sub> R00-R03, R12 P00-P03, P10-P13	700			μA
Common output current	I <sub>OH3</sub>	V <sub>OH3</sub> =-0.05V COM0-COM3			-3	μA
	I <sub>OL3</sub>	V <sub>OL3</sub> =V <sub>L3</sub> +0.05V	3			μA
Segment output current (during LCD output)	I <sub>OH4</sub>	V <sub>OH4</sub> =-0.05V SEG0-SEG37			-3	μA
	I <sub>OL4</sub>	V <sub>OL4</sub> =V <sub>L3</sub> +0.05V	3			μA
Segment output current (during DC output)	I <sub>OH5</sub>	V <sub>OH5</sub> =0.1•V <sub>SS</sub> SEG0-SEG37			-100	μA
	I <sub>OL5</sub>	V <sub>OL5</sub> =0.9•V <sub>SS</sub>	100			μA

# E0C6S32

## ● Analog Circuit Characteristics and Current Consumption

### E0C6S32 (Normal Mode)

(Unless otherwise specified:  $V_{DD}=0V$ ,  $V_{SS}=-3.0V$ ,  $f_{OSC1}=32.768kHz$ ,  $T_a=25^{\circ}C$ ,  $C_G=25pF$ ,  $V_{S1}/V_{L1}-V_{L3}$  are internal voltage,  $C1-C5=0.1\mu F$ )

Characteristic	Symbol	Condition	Min.	Typ.	Max.	Unit
Internal voltage	$V_{L1}$	Connect $1M\Omega$ load resistor between $V_{DD}$ and $V_{L1}$ (without panel load)	-1.15	-1.05	-0.95	V
	$V_{L2}$	Connect $1M\Omega$ load resistor between $V_{DD}$ and $V_{L2}$ (without panel load)	$2 \cdot V_{L1}$ -0.1		$2 \cdot V_{L1}$ $\times 0.9$	V
	$V_{L3}$	Connect $1M\Omega$ load resistor between $V_{DD}$ and $V_{L3}$ (without panel load)	$3 \cdot V_{L1}$ -0.1		$3 \cdot V_{L1}$ $\times 0.9$	V
SVD voltage	$V_{SVD}$		-2.55	-2.40	-2.25	V
SVD circuit response time	$t_{SVD}$				100	$\mu S$
Analog comparator input voltage	$V_{IP}$	Noninverted input (AMPP)	$V_{SS}+0.3$		$V_{DD}-0.9$	V
	$V_{IM}$	Inverted input (AMPM)				
Analog comparator offset voltage	$V_{OF}$				10	mV
Analog comparator response time	$t_{AMP}$	$V_{IP}=-1.5V$ , $V_{IM}=V_{IP} \pm 15mV$			3	mS
Current consumption	$I_{OP}$	During HALT		0.65	2.0	$\mu A$
		During operation *1	Without panel load	2.0	4.0	$\mu A$

\*1: The SVD circuit and analog comparator are in the OFF status.

### E0C6S32 (Heavy Load Protection Mode)

(Unless otherwise specified:  $V_{DD}=0V$ ,  $V_{SS}=-3.0V$ ,  $f_{OSC1}=32.768kHz$ ,  $T_a=25^{\circ}C$ ,  $C_G=25pF$ ,  $V_{S1}/V_{L1}-V_{L3}$  are internal voltage,  $C1-C5=0.1\mu F$ )

Characteristic	Symbol	Condition	Min.	Typ.	Max.	Unit
Internal voltage	$V_{L1}$	Connect $1M\Omega$ load resistor between $V_{DD}$ and $V_{L1}$ (without panel load)	-1.15	-1.05	-0.95	V
	$V_{L2}$	Connect $1M\Omega$ load resistor between $V_{DD}$ and $V_{L2}$ (without panel load)	$2 \cdot V_{L1}$ -0.1		$2 \cdot V_{L1}$ $\times 0.9$	V
	$V_{L3}$	Connect $1M\Omega$ load resistor between $V_{DD}$ and $V_{L3}$ (without panel load)	$3 \cdot V_{L1}$ -0.1		$3 \cdot V_{L1}$ $\times 0.9$	V
SVD voltage	$V_{SVD}$		-2.55	-2.40	-2.25	V
SVD circuit response time	$t_{SVD}$				100	$\mu S$
Analog comparator input voltage	$V_{IP}$	Noninverted input (AMPP)	$V_{SS}+0.3$		$V_{DD}-0.9$	V
	$V_{IM}$	Inverted input (AMPM)				
Analog comparator offset voltage	$V_{OF}$				10	mV
Analog comparator response time	$t_{AMP}$	$V_{IP}=-1.5V$ , $V_{IM}=V_{IP} \pm 15mV$			3	mS
Current consumption	$I_{OP}$	During HALT		11.2	34.0	$\mu A$
		During operation *1	Without panel load	14.5	40.0	$\mu A$

\*1: The SVD circuit is in the ON status (HLMOD="1", BLS="0"). The analog comparator is in the OFF status.

### E0C6SL32 (Normal Mode)

(Unless otherwise specified:  $V_{DD}=0V$ ,  $V_{SS}=-1.5V$ ,  $f_{OSC1}=32.768kHz$ ,  $T_a=25^{\circ}C$ ,  $C_G=25pF$ ,  $V_{S1}/V_{L1}-V_{L3}$  are internal voltage,  $C1-C5=0.1\mu F$ )

Characteristic	Symbol	Condition	Min.	Typ.	Max.	Unit
Internal voltage	$V_{L1}$	Connect $1M\Omega$ load resistor between $V_{DD}$ and $V_{L1}$ (without panel load)	-1.15	-1.05	-0.95	V
	$V_{L2}$	Connect $1M\Omega$ load resistor between $V_{DD}$ and $V_{L2}$ (without panel load)	$2 \cdot V_{L1}$ -0.1		$2 \cdot V_{L1}$ $\times 0.9$	V
	$V_{L3}$	Connect $1M\Omega$ load resistor between $V_{DD}$ and $V_{L3}$ (without panel load)	$3 \cdot V_{L1}$ -0.1		$3 \cdot V_{L1}$ $\times 0.9$	V
SVD voltage	$V_{SVD}$		-1.30	-1.20	-1.10	V
SVD circuit response time	$t_{SVD}$				100	$\mu S$
Analog comparator input voltage	$V_{IP}$	Noninverted input (AMPP)	$V_{SS}+0.3$		$V_{DD}-0.9$	V
	$V_{IM}$	Inverted input (AMPM)				
Analog comparator offset voltage	$V_{OF}$				20	mV
Analog comparator response time	$t_{AMP}$	$V_{IP}=-1.1V$ , $V_{IM}=V_{IP} \pm 30mV$			3	mS
Current consumption	$I_{OP}$	During HALT		0.65	1.5	$\mu A$
		During operation *1	Without panel load	2.0	4.0	$\mu A$

\*1: The SVD circuit and analog comparator are in the OFF status.

**E0C6SL32 (Heavy Load Protection Mode)**(Unless otherwise specified:  $V_{DD}=0V$ ,  $V_{SS}=-1.5V$ ,  $f_{osc1}=32.768kHz$ ,  $T_a=25^{\circ}C$ ,  $C_G=25pF$ ,  $V_{S1}/V_{L1}-V_{L3}$  are internal voltage,  $C1-C5=0.1\mu F$ )

Characteristic	Symbol	Condition	Min.	Typ.	Max.	Unit
Internal voltage	$V_{L1}$	Connect $1M\Omega$ load resistor between $V_{DD}$ and $V_{L1}$ (without panel load)	-1.15	-1.05	-0.95	V
	$V_{L2}$	Connect $1M\Omega$ load resistor between $V_{DD}$ and $V_{L2}$ (without panel load)	$2 \cdot V_{L1}$ -0.1		$2 \cdot V_{L1}$ $\times 0.85$	V
	$V_{L3}$	Connect $1M\Omega$ load resistor between $V_{DD}$ and $V_{L3}$ (without panel load)	$3 \cdot V_{L1}$ -0.1		$3 \cdot V_{L1}$ $\times 0.85$	V
SVD voltage	$V_{SVD}$		-1.30	-1.20	-1.10	V
SVD circuit response time	$t_{SVD}$				100	$\mu S$
Analog comparator input voltage	$V_{IP}$	Noninverted input (AMPP)	$V_{SS}+0.3$		$V_{DD}-0.9$	V
	$V_{IM}$	Inverted input (AMPM)				
Analog comparator offset voltage	$V_{OF}$				20	mV
Analog comparator response time	$t_{AMP}$	$V_{IP}=-1.1V$ , $V_{IM}=V_{IP}\pm 30mV$			3	mS
Current consumption	IOP	During HALT *1	Without panel load			11.2
		During operation *1				14.5

\*1: The SVD circuit is in the ON status (HLMOD="1", BLS="0"). The analog comparator is in the OFF status.

**E0C6SB32 (Normal Mode)**(Unless otherwise specified:  $V_{DD}=0V$ ,  $V_{SS}=-1.5V$ ,  $f_{osc1}=32.768kHz$ ,  $T_a=25^{\circ}C$ ,  $C_G=25pF$ ,  $V_{S1}/V_{L1}-V_{L3}$  are internal voltage,  $C1-C5=0.1\mu F$ )

Characteristic	Symbol	Condition	Min.	Typ.	Max.	Unit
Internal voltage	$V_{L1}$	Connect $1M\Omega$ load resistor between $V_{DD}$ and $V_{L1}$ (without panel load)	-1.15	-1.05	-0.95	V
	$V_{L2}$	Connect $1M\Omega$ load resistor between $V_{DD}$ and $V_{L2}$ (without panel load)	$2 \cdot V_{L1}$ -0.1		$2 \cdot V_{L1}$ $\times 0.9$	V
	$V_{L3}$	Connect $1M\Omega$ load resistor between $V_{DD}$ and $V_{L3}$ (without panel load)	$3 \cdot V_{L1}$ -0.1		$3 \cdot V_{L1}$ $\times 0.9$	V
SVD voltage	$V_{SVD}$		-1.30	-1.20	-1.10	V
SVD circuit response time	$t_{SVD}$				100	$\mu S$
Analog comparator input voltage	$V_{IP}$	Noninverted input (AMPP)	$V_{SS}+0.3$		$V_{DD}-0.9$	V
	$V_{IM}$	Inverted input (AMPM)				
Analog comparator offset voltage	$V_{OF}$				20	mV
Analog comparator response time	$t_{AMP}$	$V_{IP}=-1.1V$ , $V_{IM}=V_{IP}\pm 30mV$			3	mS
Current consumption	IOP	During HALT	Without panel load			0.65
		During operation *1				2.0

\*1: The SVD circuit and analog comparator are in the OFF status.

**E0C6SB32 (Heavy Load Protection Mode)**(Unless otherwise specified:  $V_{DD}=0V$ ,  $V_{SS}=-1.5V$ ,  $f_{osc1}=32.768kHz$ ,  $T_a=25^{\circ}C$ ,  $C_G=25pF$ ,  $V_{S1}/V_{L1}-V_{L3}$  are internal voltage,  $C1-C5=0.1\mu F$ )

Characteristic	Symbol	Condition	Min.	Typ.	Max.	Unit
Internal voltage	$V_{L1}$	Connect $1M\Omega$ load resistor between $V_{DD}$ and $V_{L1}$ (without panel load)	-1.15	-1.05	-0.95	V
	$V_{L2}$	Connect $1M\Omega$ load resistor between $V_{DD}$ and $V_{L2}$ (without panel load)	$2 \cdot V_{L1}$ -0.1		$2 \cdot V_{L1}$ $\times 0.85$	V
	$V_{L3}$	Connect $1M\Omega$ load resistor between $V_{DD}$ and $V_{L3}$ (without panel load)	$3 \cdot V_{L1}$ -0.1		$3 \cdot V_{L1}$ $\times 0.85$	V
SVD voltage	$V_{SVD}$		-1.30	-1.20	-1.10	V
SVD circuit response time	$t_{SVD}$				100	$\mu S$
Analog comparator input voltage	$V_{IP}$	Noninverted input (AMPP)	$V_{SS}+0.3$		$V_{DD}-0.9$	V
	$V_{IM}$	Inverted input (AMPM)				
Analog comparator offset voltage	$V_{OF}$				20	mV
Analog comparator response time	$t_{AMP}$	$V_{IP}=-1.1V$ , $V_{IM}=V_{IP}\pm 30mV$			3	mS
Current consumption	IOP	During HALT *1	Without panel load			11.2
		During operation *1				14.5

\*1: The SVD circuit is in the ON status (HLMOD="1", BLS="0"). The analog comparator is in the OFF status.

# E0C6S32

## E0C6SA32 (Normal Mode)

(Unless otherwise specified:  $V_{DD}=0V$ ,  $V_{SS}=-3.0V$ ,  $f_{OSC1}=32.768kHz$ ,  $T_a=25^{\circ}C$ ,  $C_G=25pF$ ,  $V_{S1}/V_{L1}-V_{L3}$  are internal voltage,  $C1-C5=0.1\mu F$ )

Characteristic	Symbol	Condition	Min.	Typ.	Max.	Unit
Internal voltage	$V_{L1}$	Connect $1M\Omega$ load resistor between $V_{DD}$ and $V_{L1}$ (without panel load)	-1.15	-1.05	-0.95	V
	$V_{L2}$	Connect $1M\Omega$ load resistor between $V_{DD}$ and $V_{L2}$ (without panel load)	$2 \cdot V_{L1}$ -0.1		$2 \cdot V_{L1}$ $\times 0.9$	V
	$V_{L3}$	Connect $1M\Omega$ load resistor between $V_{DD}$ and $V_{L3}$ (without panel load)	$3 \cdot V_{L1}$ -0.1		$3 \cdot V_{L1}$ $\times 0.9$	V
SVD voltage	$V_{SVD}$		-2.55	-2.40	-2.25	V
SVD circuit response time	$t_{SVD}$				100	$\mu S$
Analog comparator input voltage	$V_{IP}$	Noninverted input (AMPP)	$V_{SS}+0.3$		$V_{DD}-0.9$	V
	$V_{IM}$	Inverted input (AMPM)				
Analog comparator offset voltage	$V_{OF}$				10	mV
Analog comparator response time	$t_{AMP}$	$V_{IP}=-1.5V$ , $V_{IM}=V_{IP}\pm 15mV$			3	mS
Current consumption	$I_{OP}$	During HALT	Without panel load	1.5	3.0	$\mu A$
		During operation *1	OSCC="0"	4.0	8.0	$\mu A$
		During operation at 1MHz *1	Without panel load	150	300	$\mu A$

\*1: The SVD circuit and analog comparator are in the OFF status.

## E0C6SA32 (Heavy Load Protection Mode)

(Unless otherwise specified:  $V_{DD}=0V$ ,  $V_{SS}=-3.0V$ ,  $f_{OSC1}=32.768kHz$ ,  $T_a=25^{\circ}C$ ,  $C_G=25pF$ ,  $V_{S1}/V_{L1}-V_{L3}$  are internal voltage,  $C1-C5=0.1\mu F$ )

Characteristic	Symbol	Condition	Min.	Typ.	Max.	Unit
Internal voltage	$V_{L1}$	Connect $1M\Omega$ load resistor between $V_{DD}$ and $V_{L1}$ (without panel load)	-1.15	-1.05	-0.95	V
	$V_{L2}$	Connect $1M\Omega$ load resistor between $V_{DD}$ and $V_{L2}$ (without panel load)	$2 \cdot V_{L1}$ -0.1		$2 \cdot V_{L1}$ $\times 0.9$	V
	$V_{L3}$	Connect $1M\Omega$ load resistor between $V_{DD}$ and $V_{L3}$ (without panel load)	$3 \cdot V_{L1}$ -0.1		$3 \cdot V_{L1}$ $\times 0.9$	V
SVD voltage	$V_{SVD}$		-2.55	-2.40	-2.25	V
SVD circuit response time	$t_{SVD}$				100	$\mu S$
Analog comparator input voltage	$V_{IP}$	Noninverted input (AMPP)	$V_{SS}+0.3$		$V_{DD}-0.9$	V
	$V_{IM}$	Inverted input (AMPM)				
Analog comparator offset voltage	$V_{OF}$				10	mV
Analog comparator response time	$t_{AMP}$	$V_{IP}=-1.5V$ , $V_{IM}=V_{IP}\pm 15mV$			3	mS
Current consumption	$I_{OP}$	During HALT	Without panel load	60	110	$\mu A$
		During operation *1	OSCC="0"	65	120	$\mu A$
		During operation at 1MHz *1	Without panel load	200	330	$\mu A$

\*1: The SVD circuit is in the ON status (HLMOD="1", BLS="0"). The analog comparator is in the OFF status.

## ● Oscillation Characteristics

The oscillation characteristics change depending on the conditions (components used, board pattern, etc.). Use the following characteristics as reference values.

### E0C6S32 (Crystal oscillation circuit)

(Unless otherwise specified:  $V_{DD}=0V$ ,  $V_{SS}=-3.0V$ , Crystal: C-002R ( $C_I=35k\Omega$ ),  $C_G=25pF$ ,  $C_D$ =built-in,  $T_a=25^{\circ}C$ )

Characteristic	Symbol	Condition	Min.	Typ.	Max.	Unit
Oscillation start voltage	$V_{sta}$	$t_{sta} \leq 5sec$ ( $V_{SS}$ )	-1.8			V
Oscillation stop voltage	$V_{stp}$	$t_{stp} \leq 10sec$ ( $V_{SS}$ )	-1.8			V
Built-in capacitance (drain)	$C_D$	Including the parasitic capacity inside the IC		20		pF
Frequency/voltage deviation	$\partial f/\partial V$	$V_{SS}=-1.8$ to $-3.6V$			5	ppm
Frequency/IC deviation	$\partial f/\partial IC$		-10		10	ppm
Frequency adjustment range	$\partial f/\partial C_G$	$C_G=5$ to $25pF$	35	45		ppm
Harmonic oscillation start voltage	$V_{hho}$	( $V_{SS}$ )			-3.6	V
Permitted leak resistance	$R_{leak}$	Between OSC1 and $V_{DD}$ , $V_{SS}$	200			$M\Omega$



**E0C6SL32 (Crystal oscillation circuit)**(Unless otherwise specified:  $V_{DD}=0V$ ,  $V_{SS}=-1.5V$ , Crystal: C-002R ( $C_I=35k\Omega$ ),  $C_G=25pF$ ,  $C_D$ =built-in,  $T_a=25^\circ C$ )

Characteristic	Symbol	Condition	Min.	Typ.	Max.	Unit
Oscillation start voltage	$V_{sta}$	$t_{sta} \leq 5sec$ (Vss)	-1.1			V
Oscillation stop voltage	$V_{stp}$	$t_{stp} \leq 10sec$ (Vss)	-1.1(-0.9)*1			V
Built-in capacitance (drain)	$C_D$	Including the parasitic capacity inside the IC		20		pF
Frequency/voltage deviation	$\partial f/\partial V$	$V_{SS}=-1.1$ to $-1.8V$ (-0.9) *1			5	ppm
Frequency/IC deviation	$\partial f/\partial IC$		-10		10	ppm
Frequency adjustment range	$\partial f/\partial C_G$	$C_G=5$ to $25pF$	35	45		ppm
Harmonic oscillation start voltage	$V_{hho}$	(Vss)			-1.8	V
Permitted leak resistance	$R_{leak}$	Between OSC1 and $V_{DD}$ , $V_{SS}$	200			$M\Omega$

\*1: Items enclosed in parentheses ( ) are those used when operating at heavy load protection mode.

Note, however, that the ON time for BLS must be limited to 10 msec per second of operation time.

**E0C6SB32 (Crystal oscillation circuit)**(Unless otherwise specified:  $V_{DD}=0V$ ,  $V_{SS}=-1.5V$ , Crystal: C-002R ( $C_I=35k\Omega$ ),  $C_G=25pF$ ,  $C_D$ =built-in,  $T_a=25^\circ C$ )

Characteristic	Symbol	Condition	Min.	Typ.	Max.	Unit
Oscillation start voltage	$V_{sta}$	$t_{sta} \leq 5sec$ (Vss)	-1.1			V
Oscillation stop voltage	$V_{stp}$	$t_{stp} \leq 10sec$ (Vss)	-1.1(-0.9)*1			V
Built-in capacitance (drain)	$C_D$	Including the parasitic capacity inside the IC		20		pF
Frequency/voltage deviation	$\partial f/\partial V$	$V_{SS}=-1.1$ to $-3.6V$ (-0.9) *1			5	ppm
Frequency/IC deviation	$\partial f/\partial IC$		-10		10	ppm
Frequency adjustment range	$\partial f/\partial C_G$	$C_G=5$ to $25pF$	35	45		ppm
Harmonic oscillation start voltage	$V_{hho}$	(Vss)			-3.6	V
Permitted leak resistance	$R_{leak}$	Between OSC1 and $V_{DD}$ , $V_{SS}$	200			$M\Omega$

\*1: Items enclosed in parentheses ( ) are those used when operating at heavy load protection mode.

Note, however, that the ON time for BLS must be limited to 10 msec per second of operation time.

**E0C6SA32 (Crystal oscillation circuit)**(Unless otherwise specified:  $V_{DD}=0V$ ,  $V_{SS}=-3.0V$ , Crystal: C-002R ( $C_I=35k\Omega$ ),  $C_G=25pF$ ,  $C_D$ =built-in,  $T_a=25^\circ C$ )

Characteristic	Symbol	Condition	Min.	Typ.	Max.	Unit
Oscillation start voltage	$V_{sta}$	$t_{sta} \leq 5sec$ (Vss)	-1.8			V
Oscillation stop voltage	$V_{stp}$	$t_{stp} \leq 10sec$ (Vss)	-1.8			V
Built-in capacitance (drain)	$C_D$	Including the parasitic capacity inside the IC		20		pF
Frequency/voltage deviation	$\partial f/\partial V$	$V_{SS}=-2.2$ to $-3.6V$			5	ppm
Frequency/IC deviation	$\partial f/\partial IC$		-10		10	ppm
Frequency adjustment range	$\partial f/\partial C_G$	$C_G=5$ to $25pF$	35	45		ppm
Harmonic oscillation start voltage	$V_{hho}$	(Vss)			-3.6	V
Permitted leak resistance	$R_{leak}$	Between OSC1 and $V_{DD}$ , $V_{SS}$	200			$M\Omega$

**E0C6SA32 (CR oscillation circuit)**(Unless otherwise specified:  $V_{DD}=0V$ ,  $V_{SS}=-3.0V$ ,  $R_{CR}=33k\Omega$ ,  $T_a=25^\circ C$ )

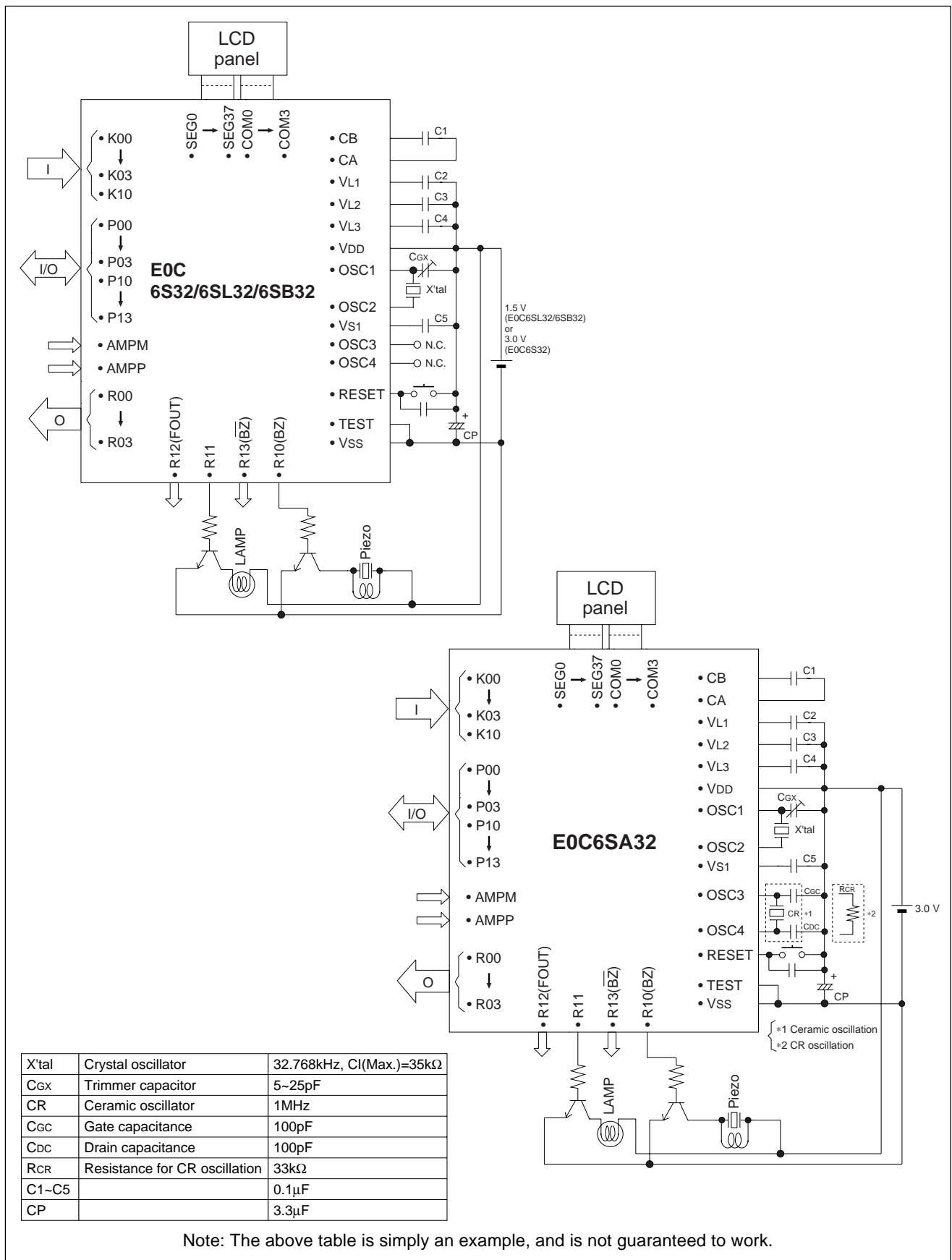
Characteristic	Symbol	Condition	Min.	Typ.	Max.	Unit
Oscillation frequency dispersion	$f_{osc3}$		-30	1MHz	30	%
Oscillation start voltage	$V_{sta}$	(Vss)	-1.8			V
Oscillation start time	$t_{sta}$	$V_{SS}=-2.2$ to $-3.6V$			3	mS
Oscillation stop voltage	$V_{stp}$	(Vss)	-1.8			V

**E0C6SA32 (Ceramic oscillation circuit)**(Unless otherwise specified:  $V_{DD}=0V$ ,  $V_{SS}=-3.0V$ , ceramic oscillation: 1MHz,  $C_{ec}=C_{dc}=100pF$ ,  $T_a=25^\circ C$ )

Characteristic	Symbol	Condition	Min.	Typ.	Max.	Unit
Oscillation start voltage	$V_{sta}$	(Vss)	-1.8			V
Oscillation start time	$t_{sta}$	$V_{SS}=-2.2$ to $-3.6V$			5	mS
Oscillation stop voltage	$V_{stp}$	(Vss)	-1.8			V

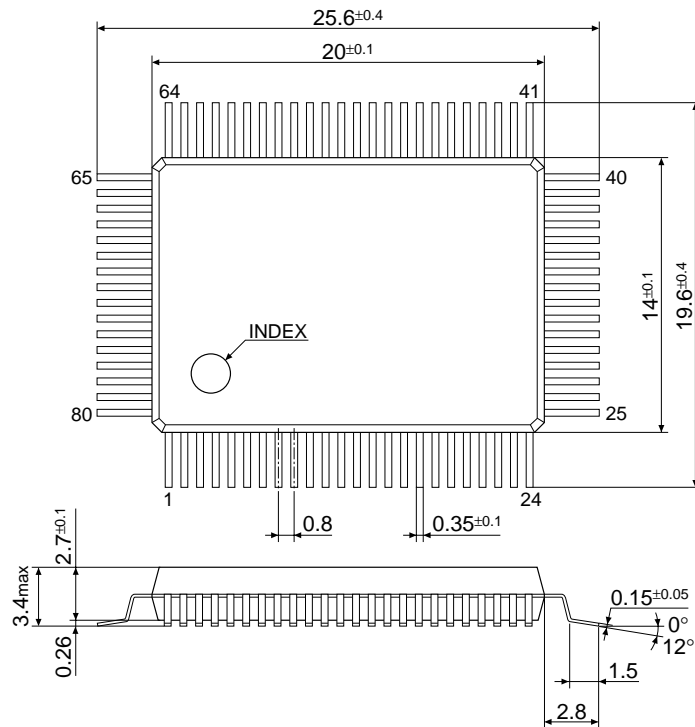
# E0C6S32

## ■ BASIC EXTERNAL CONNECTION DIAGRAM

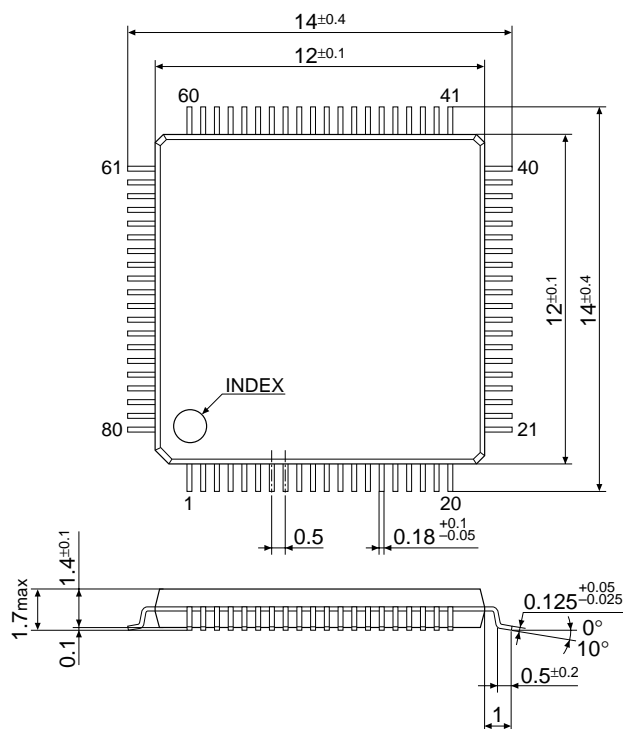


■ PACKAGE DIMENSIONS

Plastic QFP5-80pin



Plastic QFP14-80pin



Unit: mm

# E0C6S32

---

**NOTICE:**

No part of this material may be reproduced or duplicated in any form or by any means without the written permission of Seiko Epson. Seiko Epson reserves the right to make changes to this material without notice. Seiko Epson does not assume any liability of any kind arising out of any inaccuracies contained in this material or due to its application or use in any product or circuit and, further, there is no representation that this material is applicable to products requiring high level reliability, such as, medical products. Moreover, no license to any intellectual property rights is granted by implication or otherwise, and there is no representation or warranty that anything made in accordance with this material will be free from any patent or copyright infringement of a third party. This material or portions thereof may contain technology or the subject relating to strategic products under the control of the Foreign Exchange and Foreign Trade Control Law of Japan and may require an export license from the Ministry of International Trade and Industry or other approval from another government agency.

© Seiko Epson Corporation 1999 All right reserved.

---

## **SEIKO EPSON CORPORATION**

**ELECTRONIC DEVICES MARKETING DIVISION**

**IC Marketing & Engineering Group**

**ED International Marketing Department I (Europe & U.S.A.)**

421-8, Hino, Hino-shi, Tokyo 191-8501, JAPAN  
Phone : 042-587-5812 FAX : 042-587-5564

**ED International Marketing Department II (Asia)**

421-8, Hino, Hino-shi, Tokyo 191-8501, JAPAN  
Phone : 042-587-5814 FAX : 042-587-5110

